



0-10V-1CH

1 CHANNEL | SINGLE-COLOR | 0-10V DIMMER

Fixture Type: _____

Project: _____

Location: _____



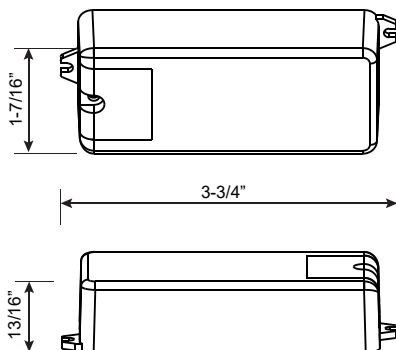
PRODUCT FEATURES

- 1-channel 0-10V dimming module
- 0-100% logarithmic dimming range
- 256 dim increments for smooth transitions
- Analog dim driver with 0-10V signal input
- PWM Output

SPECIFICATIONS

Model	0-10V-1CH
Input Voltage	12-24V DC
Output	1 x 8A
Constant Voltage	Yes
Dimensions L*W*D	3-3/4" x 1-7/16" x 13/16"
IP Rating	IP20
Temp Range	-4°F to 122°F
Dim Increments	0-255
Dim Range	0-100%
Dimming Standard	PWM

DIMENSIONS



WIRING EXAMPLE

