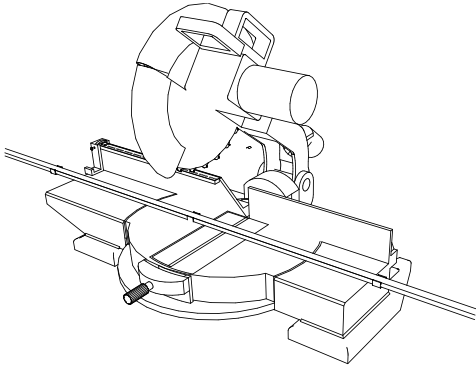


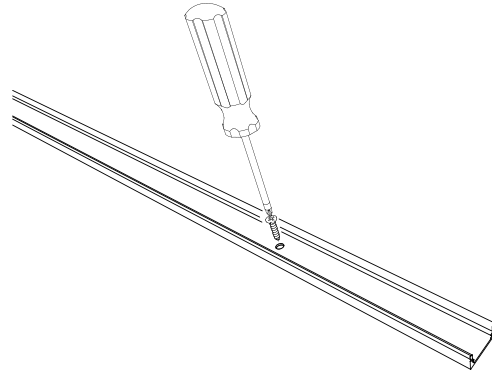
## SIGNWAVE™ 1

### INDOOR INSTALLATION INSTRUCTIONS

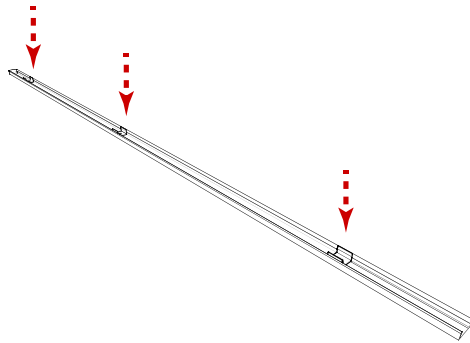
- ① Measure and cut to length as needed



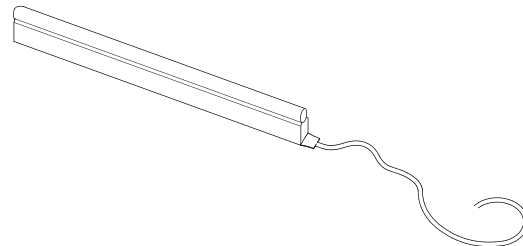
- ② Screw channel through pre-drilled holes directly into mounting surface



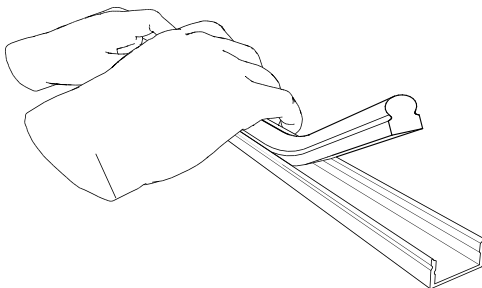
- ③ Snap mounting clips into notches in channel



- ④ Ensure that LED strip is correctly oriented with power feed end toward power source



- ⑤ Starting at one end, place LED strip in channel and press down along entire length



- ⑥ Turn on light and enjoy!

