

CH-202

EXTRUDED ALUMINUM MOUNTING CHANNEL

Fixture Type: _____

Project: _____

Location: _____

PRODUCT FEATURES

- Available in 2 meter sections
- Extruded aluminum construction
- Anodized matte finish
- Consult factory for custom lengths & finishes

SPECIFICATIONS

| | |
|-------------------------|-----------------|
| Model | CH-202 |
| Length | 2 meters |
| External Width | 17.1mm (11/16") |
| Internal Width | 13.1mm (1/2") |
| Height | 15.3mm (5/8") |
| Pivot Clip Height @ 90° | 27mm (1-1/16") |



Aluminum Profile



Mounting Clip (CP)



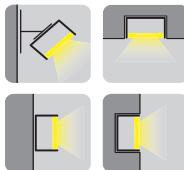
White Lens (WH)



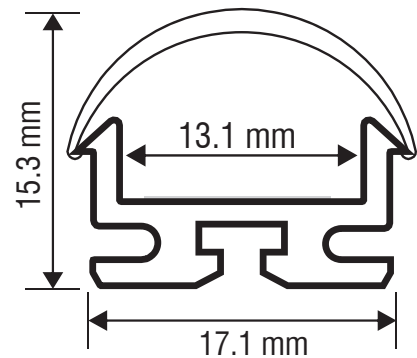
Pivot Mounting Clip (PV)



End Caps (with/without hole)



Applications



ORDERING INFORMATION

Example: **CH202-2-WH-CP-EC**

