

CH-409

EXTRUDED ALUMINUM MOUNTING CHANNEL

Fixture Type: _____

Project: _____

Location: _____

PRODUCT FEATURES

- Available in 2 meter sections
- Extruded aluminum construction
- Anodized matte finish
- Consult factory for custom lengths & finishes

SPECIFICATIONS

Model	CH-409
Length	2 meters
External Width	18mm (11/16")
Internal Width	15mm (9/16")
Height	13mm (1/2")



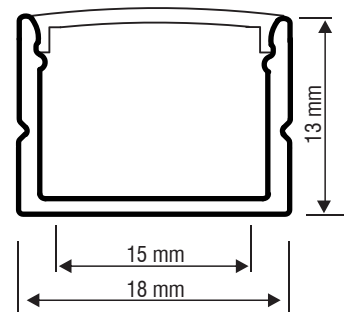
White lens (WH)



Mounting clip X5 (CP)



End caps with hole X2 (EC)



ORDERING INFORMATION

Example: **CH409-2-WH-CP-EC**

