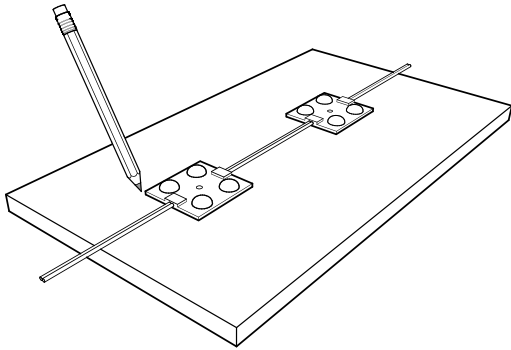


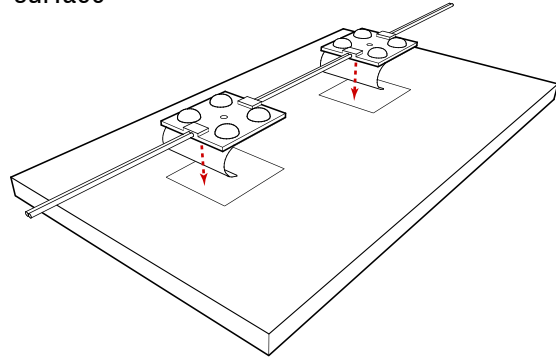
Cor™4

INSTALLATION INSTRUCTIONS

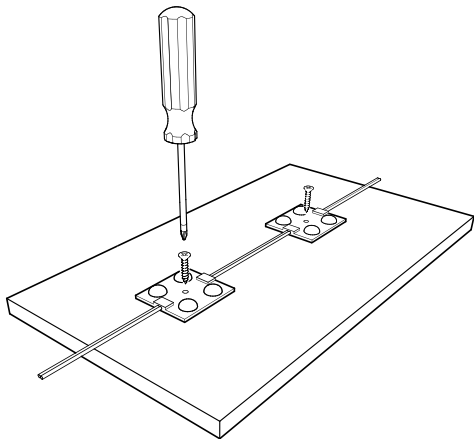
- ① Layout fixture strand in desired configuration then trace outline on mounting



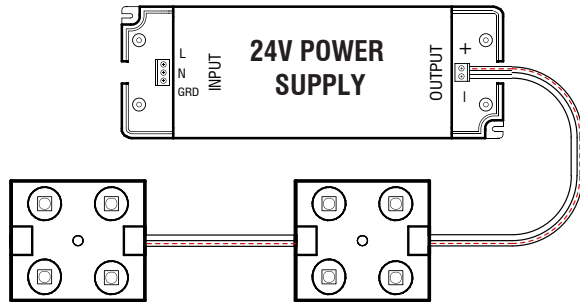
- ② Remove backing from 3M adhesive tape and secure to outlined areas on mounting surface



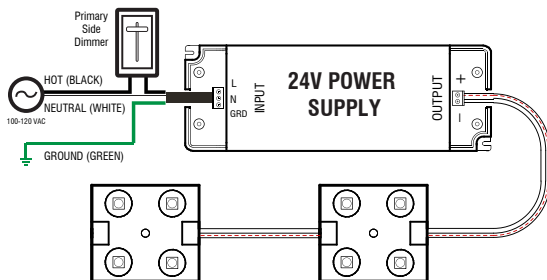
- ③ Screw fixture to mounting surface



- ④ Connect power feed to power supply



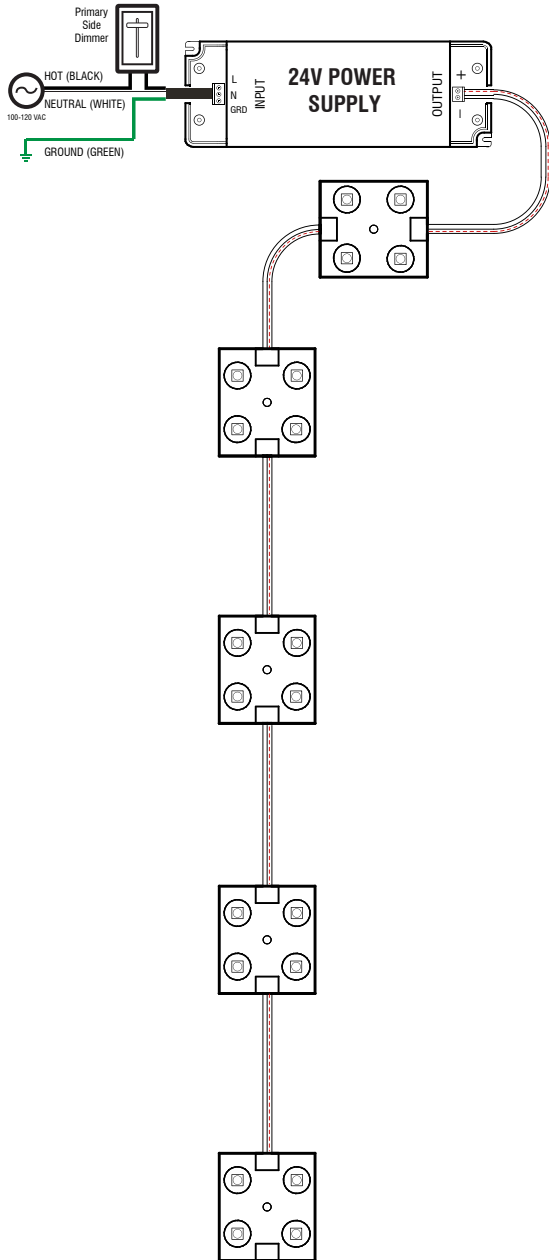
- ⑤ Connect primary side of power supply to AC line voltage power source



Cor™4

LAYOUT EXAMPLES

LINEAR



CURVED

