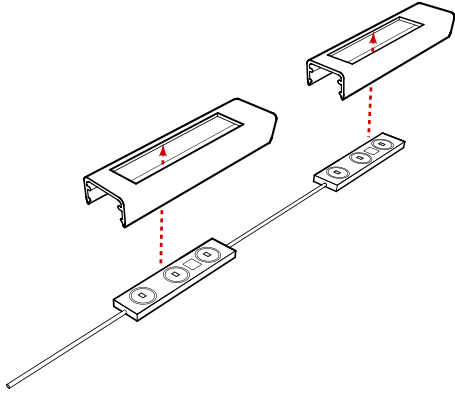


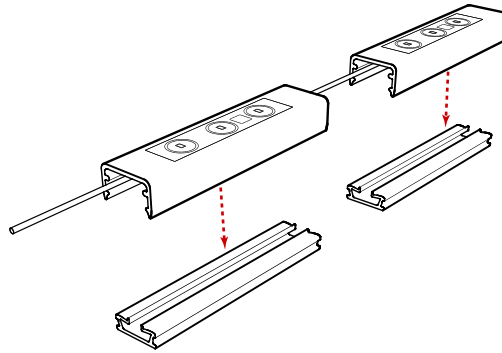
# CorTrac™ 1

## INSTALLATION INSTRUCTIONS (CLIP CHANNEL)

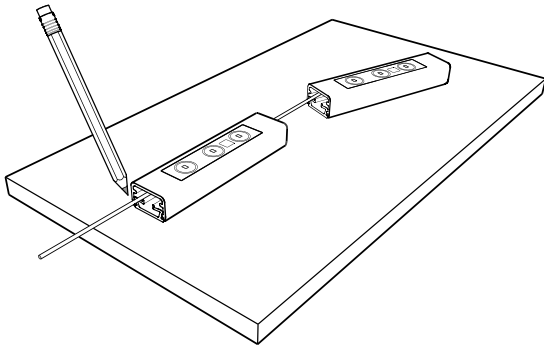
- ① Snap LED cable into top half of clip channels



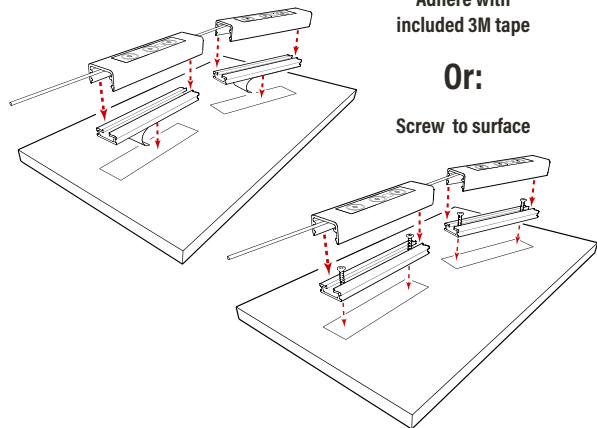
- ② Connect top half of clip channels + LED cable to bottom half of clip channels



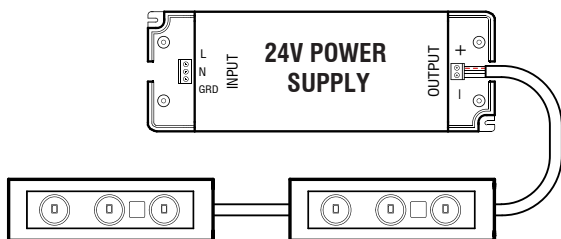
- ③ Layout fixture strand in desired configuration then trace outline on mounting surface



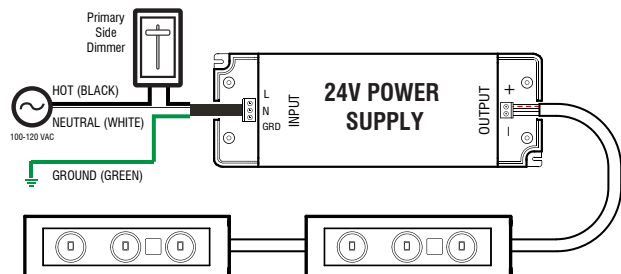
- ④ Secure fixture strand to outlined areas on mounting surface



- ⑤ Connect power feed to power supply



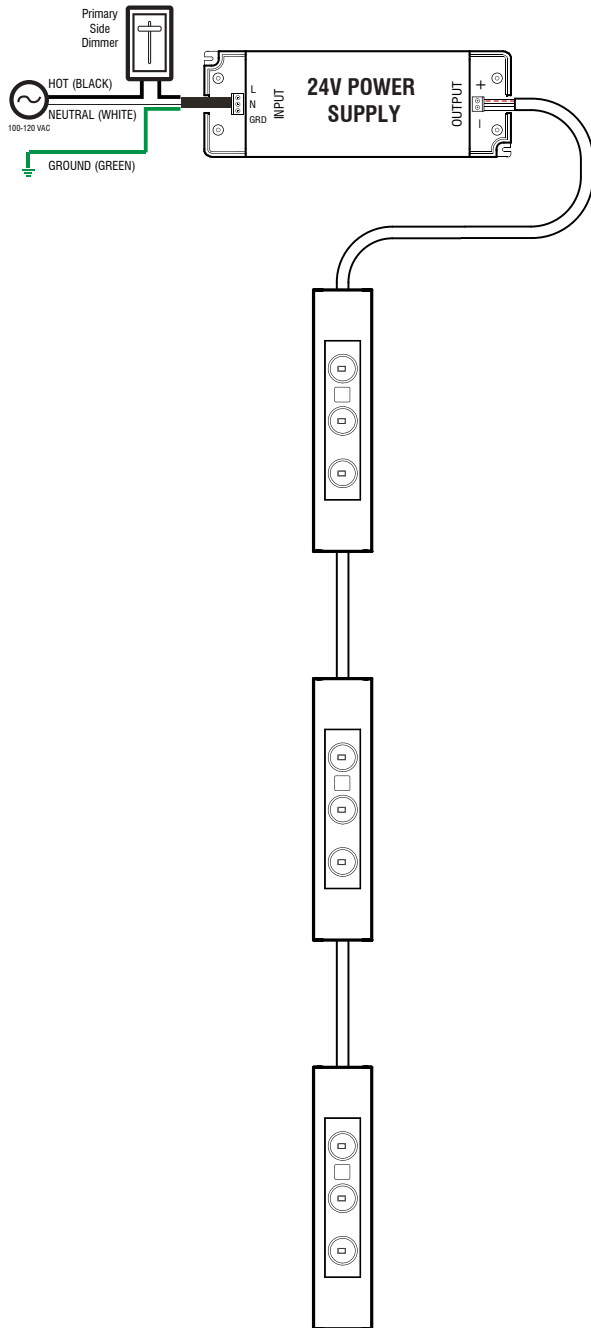
- ⑥ Connect primary side of power supply to AC line voltage power source



# CorTrac™ 1

## LAYOUT EXAMPLES (CLIP CHANNEL)

### LINEAR



### CURVED

