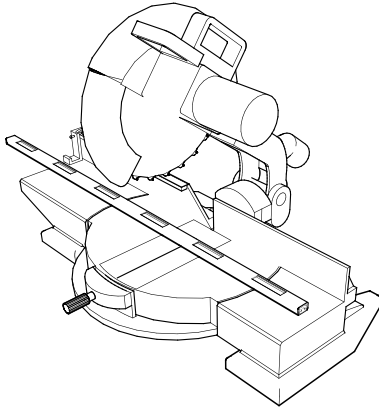


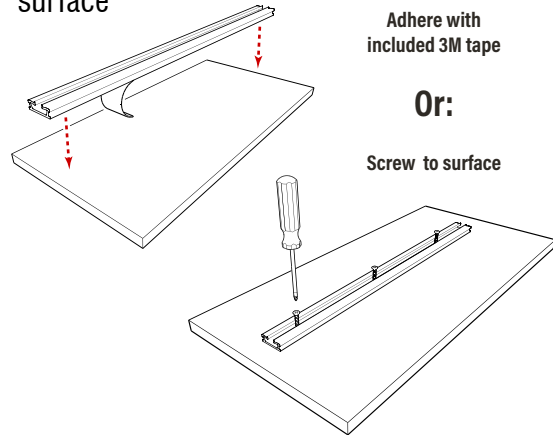
CorTrac™ 1

INSTALLATION INSTRUCTIONS (STANDARD CHANNEL)

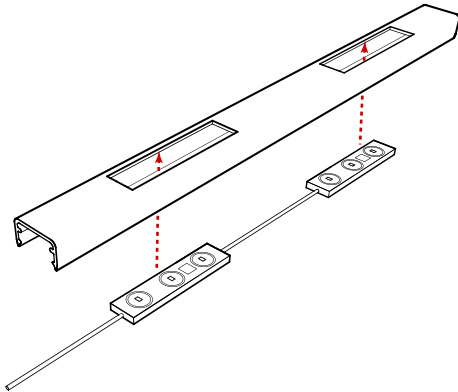
- ① Cut channel to desired length (see next page for layout examples)



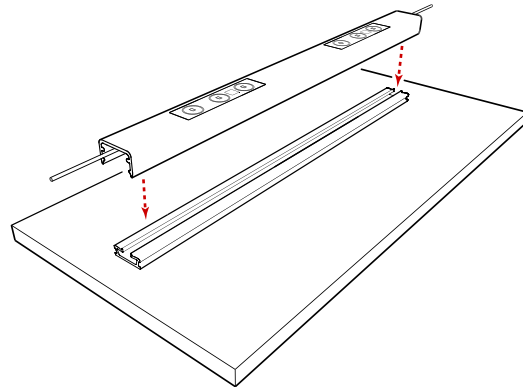
- ② Secure bottom half of channel to mounting surface



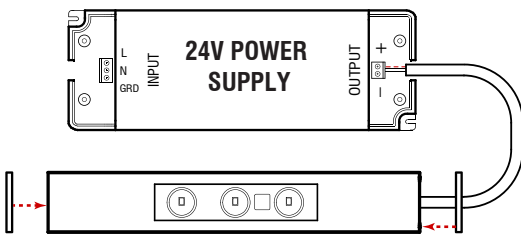
- ③ Snap LED cable into top half of channel



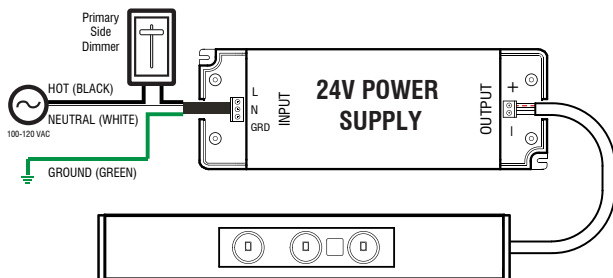
- ④ Connect top half of channel + LED cable to mounted bottom half of channel



- ⑤ Instal end caps and connect power feed to power supply



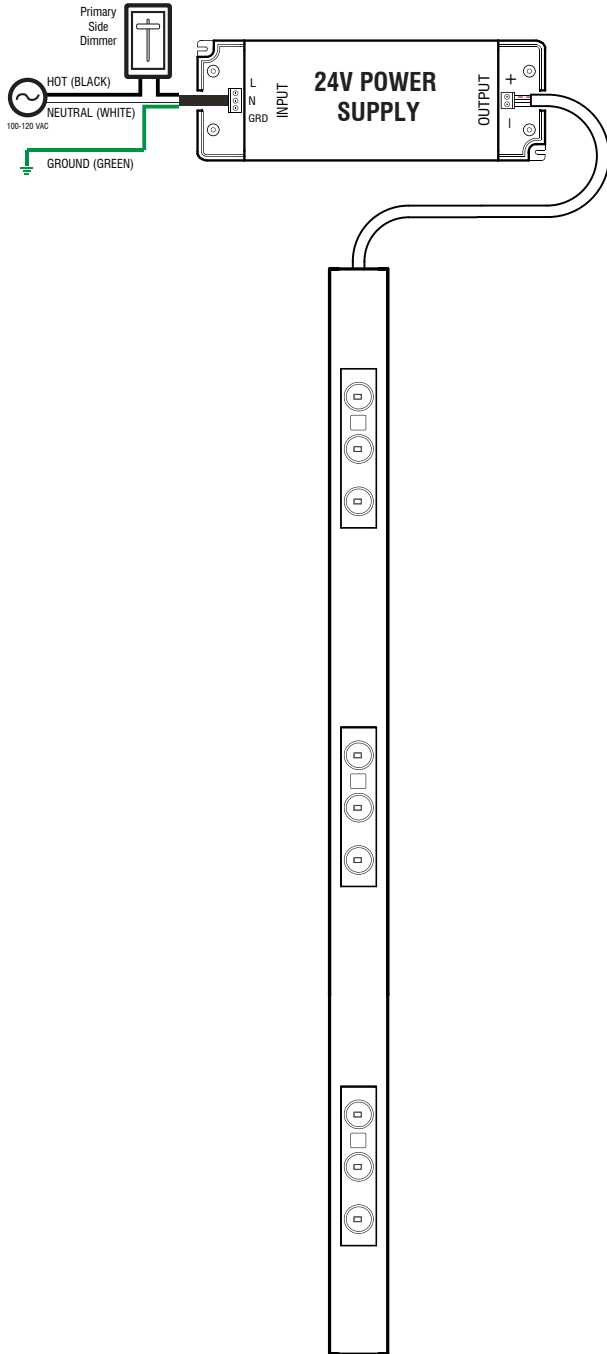
- ⑥ Connect primary side of power supply to AC line voltage power source



CorTrac™ 1

LAYOUT EXAMPLES (STANDARD CHANNEL)

LINEAR



MITER

