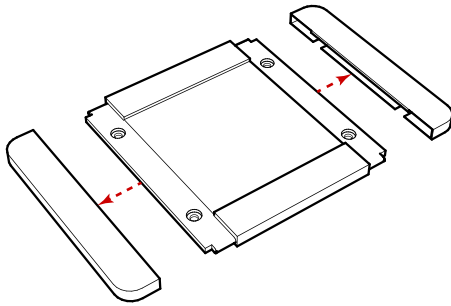


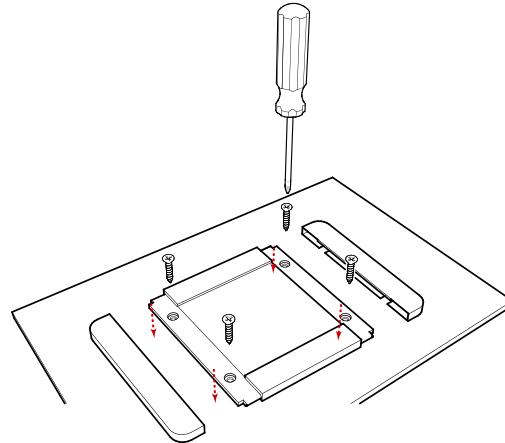
FLATLINE™ SERIES

INSTALLATION INSTRUCTIONS

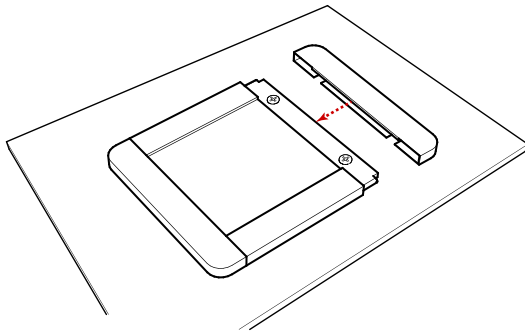
- ① Remove screw covers



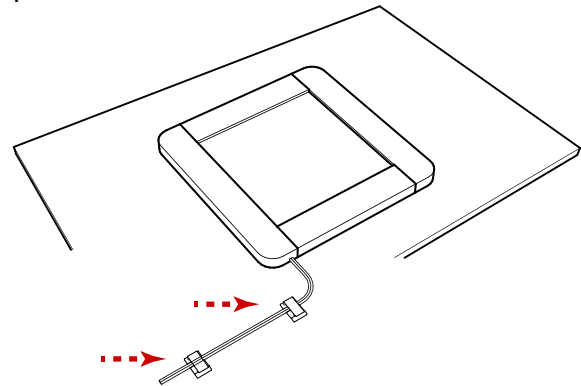
- ② Secure fixture to mounting surface



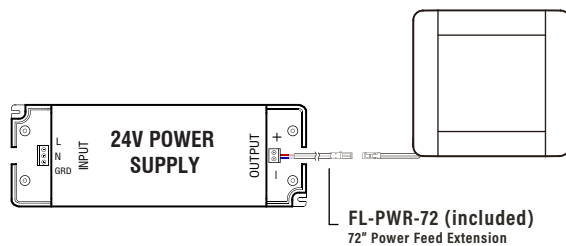
- ③ Reinsert screw covers



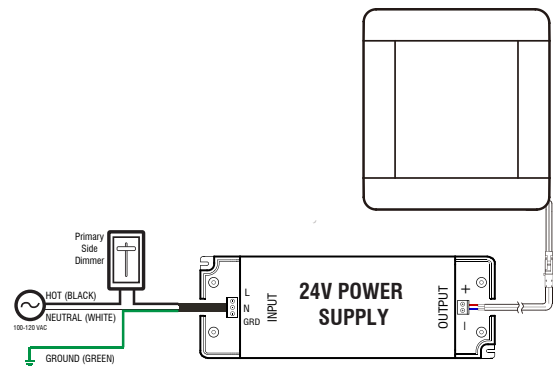
- ④ Use adhesive wire management clips to hide power feed from view



- ⑤ Connect power feed to power supply (see next page for additional linkage options)



- ⑥ Connect primary side of power supply to AC line voltage power source

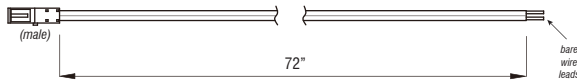


FLATLINE™ SERIES

POWER FEEDS & WIRING EXAMPLE

FL-PWR-72 (included)

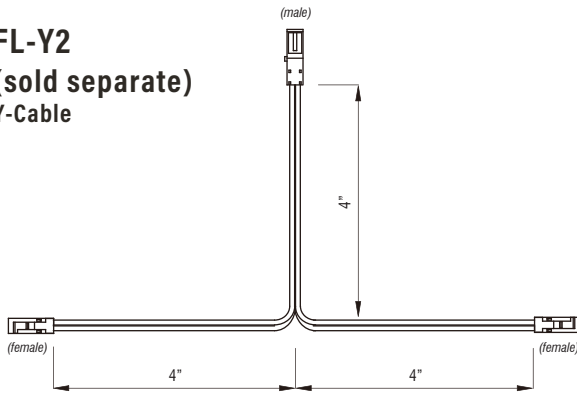
72" Power Feed Extension



FL-Y2

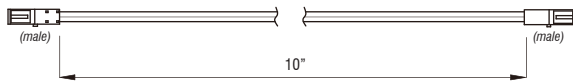
(sold separate)

Y-Cable



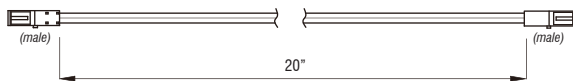
FL-CC-10 (sold separate)

10" Jumper Cable



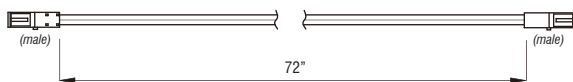
FL-CC-20 (sold separate)

20" Jumper Cable



FL-CC-72 (sold separate)

72" Jumper Cable



WIRING EXAMPLE

