

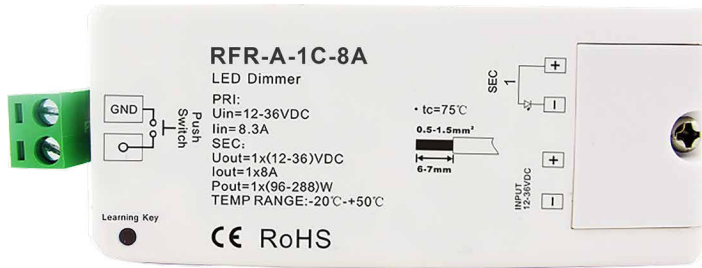
RFR-A-1C-8A

SINGLE-CHANNEL | 8-AMP | RF RECEIVER

Fixture Type: _____

Project: _____

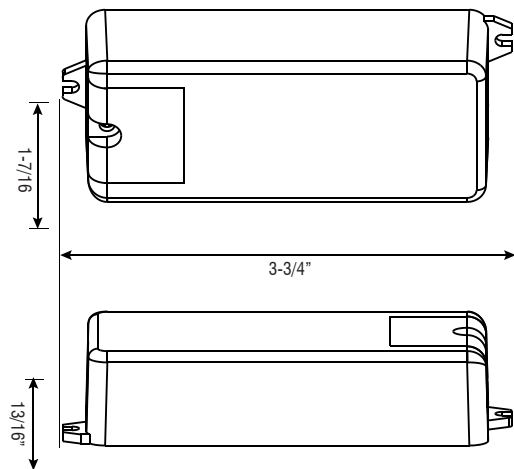
Location: _____



PRODUCT FEATURES

- Single-color RF receiver
- Compatible with multiple RF controllers
- Compatible with RFC-A series controllers
- On-board learning key for zone assignment
- Compatible with RFC-A-WIFI for mobile app control

DIMENSIONS



SPECIFICATIONS

Model	RFR-A-1C-8A
Input Voltage	12-24V DC
Output	1 x 8A
Constant Voltage	Yes
RF Range	Up to 50ft
Dimensions L*W*D	3-3/4" x 1-7/16" x 13/16"
IP Rating	IP20
Temp Range	-4°F to 122°F
Dim Range	1% to 100%

WIRING EXAMPLE

