

RFR-A-4C-5A

4-CHANNEL | 5AMP/CH | RF RECEIVER

Fixture Type: _____

Project: _____

Location: _____



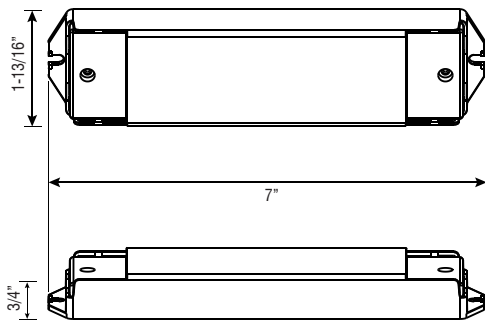
PRODUCT FEATURES

- RGBW 4-channel RF Receiver
- Can be controlled with multiple RF controllers
- Compatible with RFC-A-WIFI for mobile app control
- Compatible with RFC-A series controllers
- Manual reset switch
- Learning and master/slave switches for zone assignment

SPECIFICATIONS

| | |
|------------------|----------------------|
| Model | RFC-A-4C-5A |
| Input Voltage | 12-24V DC |
| Output | 4 x 5A |
| Constant Voltage | Yes |
| RF Range | Up to 50ft |
| Dimensions L*W*D | 7" x 1-13/16" x 3/4" |
| IP Rating | IP20 |
| Temp Range | -4°F to 122°F |
| Dim Range | 1% to 100% |

DIMENSIONS



WIRING EXAMPLE

