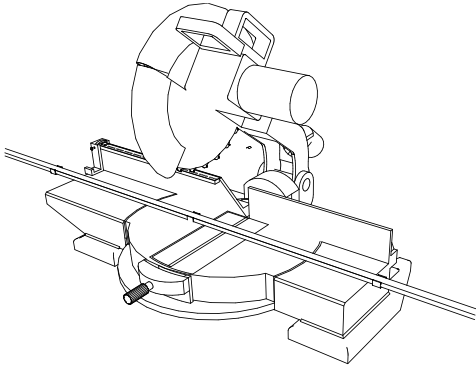


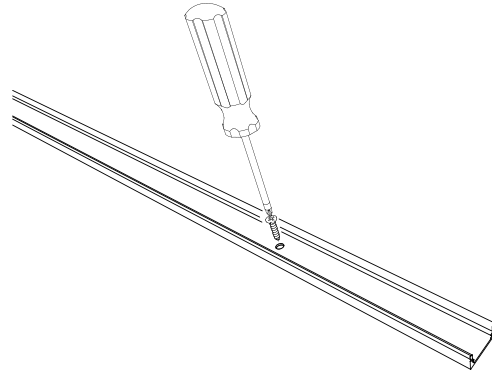
## SIGNWAVE™ 1

### OUTDOOR INSTALLATION INSTRUCTIONS

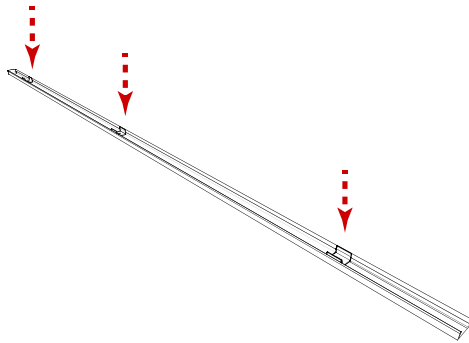
- ① Measure and cut to length as needed



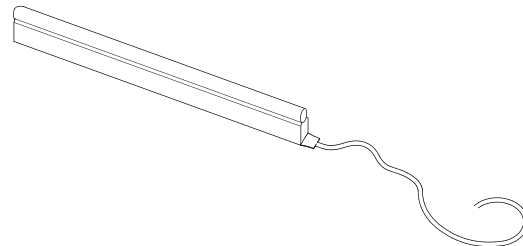
- ② Screw channel through pre-drilled holes directly into mounting surface



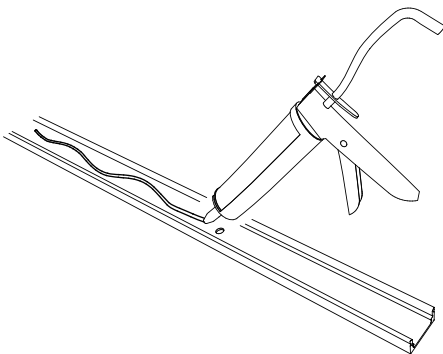
- ③ Snap mounting clips into notches in channel



- ④ Ensure that LED strip is correctly oriented with power feed end toward power source



- ⑤ Apply silicone adhesive down channel length



- ⑥ Starting at one end, place LED strip in channel and press down along entire length

