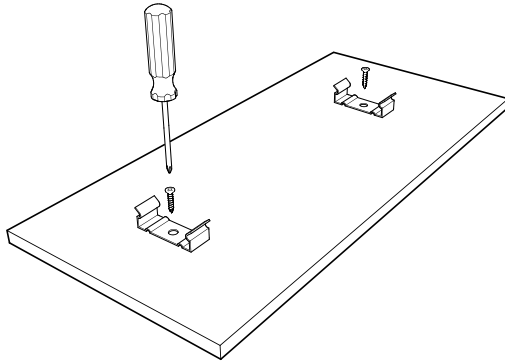


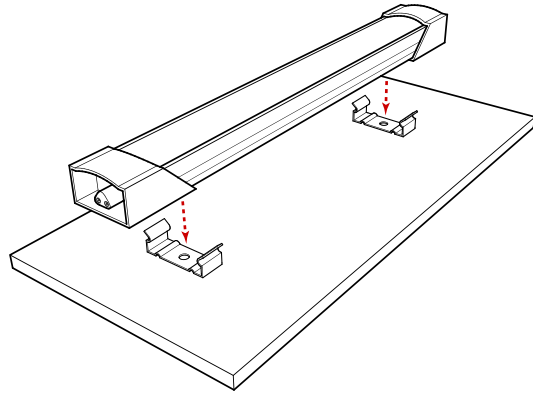
STIX™ SERIES

INSTALLATION INSTRUCTIONS

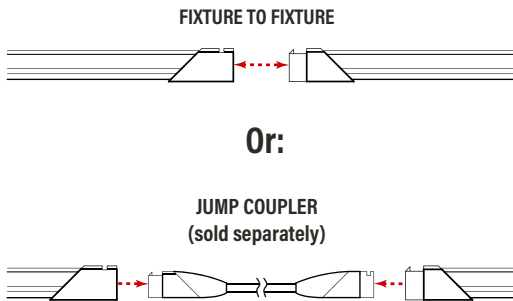
- ① Screw fixture clips to mounting surface



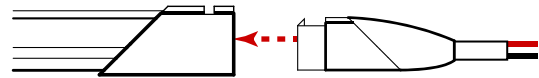
- ② Insert fixture into clips



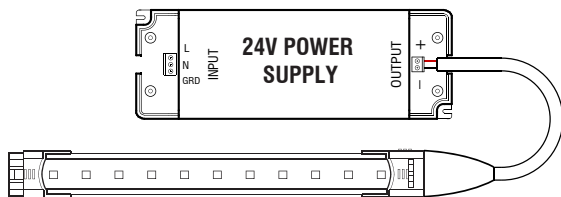
- ③ *Optional: link multiple fixtures together
(See next page for additional linkage options)
Do not exceed 16ft per run!



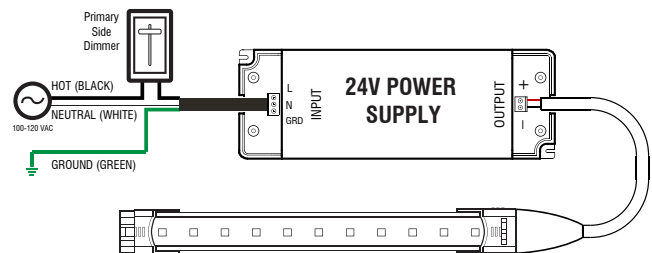
- ④ Connect hardwire power feed to fixture (sold separately)



- ⑤ Connect power feed to power supply



- ⑥ Connect primary side of power supply to AC line voltage power source

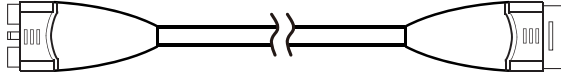


STIX™ SERIES

POWER FEEDS & WIRING EXAMPLE

JUMP COUPLER (sold separate)

Connects fixtures with separation.
(number represents length in inches)

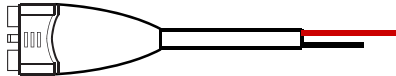


- Item #ST-JC-2 Item #ST-JC-24
- Item #ST-JC-6 Item #ST-JC-48
- Item #ST-JC-12

(*Custom Lengths Available)

HARDWIRE POWER FEED (sold separate)

Connects fixtures to 24V power supply (required).
(number represents length in inches)



- Item #ST-HW-72
- Item #ST-HW240

(*Custom Lengths Available)

WIRING EXAMPLE

